

AT4221/AT4222
AT3221/AT3222
AT2621/AT2622
User's Guide

| | |
|---|-----------|
| Important safety instructions | 2 |
| Disposal instructions | 2 |
| Declaration of Conformity | 2 |
| First things first | 3 |
| Packing checklist | 3 |
| Your LCD TV overview | 3 |
| Front panel view | 3 |
| Rear panel view | 4 |
| Remote control | 5 |
| General keys | 5 |
| Teletext | 5 |
| Basic connections | 6 |
| Connecting the power cord | 6 |
| Setting up the remote control | 6 |
| Enjoying analog TV | 6 |
| Connecting an antenna/cable | 6 |
| Getting started watching your TV | 6 |
| Connecting external audio/video devices | 7 |
| Connecting a DVD, VCR, STB or audio/video equipment | 7 |
| Connecting a camera, camcorder, video game | 8 |
| Connecting a PC or notebook computer | 8 |
| Selecting the input source | 8 |
| OSD navigation | 9 |
| Navigating the OSD with the remote control | 9 |
| Adjusting the OSD settings | 10 |
| Advanced features | 11 |
| Lock This Channel | 11 |
| Reorder for channels | 12 |
| Re-scan for channels | 13 |
| Widescreen display mode | 14 |
| Troubleshooting | 15 |
| PC Input Signal Reference Chart | 16 |
| Product specifications | 17 |

Copyright © 2007. Acer Incorporated.
All Rights Reserved.

Acer LCD TV User's Guide
Original Issue: 5 / 2007

Changes may be made periodically to the information in this publication without obligation to notify any person of such revisions or changes. Such changes will be incorporated in new editions of this manual or supplementary documents and publications. This company makes no representations or warranties, either expressed or implied, with respect to the contents hereof and specifically disclaims the implied warranties of merchantability or fitness for a particular purpose.

Record the model number, serial number, purchase date, and place of purchase information in the space provided below. The serial number and model number are indicated on the label affixed to your device. All correspondence concerning your unit should include the serial number, model number, and purchase information.

No part of this publication may be reproduced, stored in a retrieval system, or transmitted, in any form or by any means, electronically, mechanically, by photocopy, recording, or otherwise, without the prior written permission of Acer Incorporated.

Model Number: _____

Serial Number: _____

Purchase Date: _____

Place of Purchase: _____

Acer and the Acer Logo are registered trademarks of Acer Inc. Other companies' product names or trademarks are used herein for identification purposes only and belong to their respective companies.

Important safety instructions

Read these instructions carefully. Please put them somewhere safe for future reference.

- 1 Follow all warnings and instructions marked on the product.
- 2 Unplug this product from the wall outlet before cleaning. Do not use liquid cleaners or aerosol cleaners. Use a damp cloth for cleaning.
- 3 Do not use this product near water.
- 4 Do not place this product on an unstable cart, stand or table. The product may fall, sustaining serious damage.
- 5 Slots and openings are provided for ventilation; to ensure reliable operation of the product and to protect it from overheating, these openings must not be blocked or covered. The openings should never be blocked by placing the product on a bed, sofa, rug or other similar surface. This product should never be placed near or over a radiator or heat register or in a built-in installation unless proper ventilation is provided.
- 6 This product should be operated from the type of power indicated on the marking label. If you are not sure of the type of power available, consult your dealer or local power company.
- 7 Do not allow anything to rest on the power cord. Do not locate this product where the cord will be stepped on.
- 8 If an extension cord is used with this product, make sure that the total ampere rating of the equipment plugged into the extension cord does not exceed the extension cord ampere rating. Also, make sure that the total rating of all products plugged into the wall outlet does not exceed the fuse rating.
- 9 Never push objects of any kind into this product through cabinet slots as they may touch dangerous voltage points or short-out parts, which could result in a fire or electric shock. Never spill liquid of any kind on the product.
- 10 Do not attempt to service this product yourself, as opening or removing covers may expose you to dangerous voltage points or other risks. Refer all servicing to qualified service personnel.
- 11 Unplug this product from the wall outlet and refer servicing to qualified service personnel under the following conditions:
 - a. When the power cord or plug is damaged or frayed.
 - b. If liquid has been spilled into the product.
 - c. If the product has been exposed to rain or water.
 - d. If the product does not operate normally when the operating instructions are followed. Adjust only those controls that are covered by the operating instructions. Improper adjustment of other controls could result in damage; extensive work by a qualified technician might then be required to restore the product to normal condition.
 - e. If the product has been dropped or the case has been damaged.
 - f. If the product exhibits a distinct change in performance, indicating a need for service.
- 12 Use only the proper type of power supply cord set (provided in your accessories box) for this unit. Always disconnect the power cord from the wall outlet before servicing or disassembling this equipment.
- 13 Do not overload an electrical AC outlet, power strip, or convenience receptacle. The overall system load must not exceed 80% of the branch circuit rating. If power strips are used, the load should not exceed 80% of the power strip input rating.
- 14 Some products are equipped with a three-wire electrical grounding-type plug that has a third pin for grounding. This plug only fits into a grounded electrical outlet. This is a safety feature. Make sure the AC outlet is properly grounded. Do not defeat the safety purpose of the grounding-type plug by trying to insert it into a non-grounded outlet. If you cannot insert the plug into the outlet, contact your electrician to replace the obsolete outlet.



The grounding pin is an important safety feature. It is possible to receive an electric shock from a system that is not properly grounded



The grounding pin is also providing good immunity ability against unexpected noise that interferes performance of this product and is produced by other nearby electrical devices.

Disposal instructions

Do not throw this electronic device into the rubbish bin / container when discarding. To minimize pollution and ensure utmost protection of the global environment, please recycle.

For more information regarding WEEE, please refer to <http://global.acer.com/about/environmental.htm>



CE Declaration of Conformity

| | |
|--------------------------|---|
| Name of Manufacturer: | Acer Computer (Shanghai) Limited |
| Address of Manufacturer: | 3F, No. 168 xizang medium road, Huangpu District, Shanghai, China |
| Declares that product: | LCD TV Monitor |
| Model: | AT4221 ; AT4222 ; AT3221 ; AT3222 AT2621 ; AT2622 |

Conforms to the EMC Directive 89/336/EEC as attested by conformity with the following harmonized standards:

EN 55013: 2001+A1: 2003: Sound and television broadcast receivers and associated equipment - Radio disturbance characteristics - Limits and methods of measurement

EN 55020: 2002+A1: 2003: Sound and television broadcast receivers and associated equipment - Immunity characteristics - Limits and methods of measurement

EN55022:1998/A1:2000; AS/NZS CISPR 22: 2002: Limits and methods of measurement of Radio Interference characteristics of Information Technology Equipment.

EN55024: 1998/A1: 2001; AS/NZS CISPR 24: 1997: Information technology equipment-Immunity characteristics-Limits and methods of measurement.

Conforms to the Low Voltage Directive 73/23/EEC as attested by conformity with the following harmonized standard:

EN60065: 1998: Audio, video and similar electronic apparatus-safety requirements.

We, Acer Computer (Shanghai) Limited, hereby declare that the equipment bearing the trade name and model number specified above was tested conforming to the applicable Rules under the most accurate measurement standards possible, and that all the necessary steps have been taken and are in force to assure that production units of the same equipment will continue to comply with the requirements.

Easy Lai

June 15, 2007

Easy Lai / Director
Acer Computer (Shanghai) Limited

First things first

We would like to thank you for making this Acer LCD TV your choice. With proper care, your new Acer LCD TV will provide you with years of entertainment and satisfaction.

This User's Guide introduces you to the various features your LCD TV can offer, and provides clear and concise information about the product, so please read it thoroughly and retain it for future reference.

Packing checklist

Your LCD TV package should contain the following accessories, in addition to the accessory box. Please ensure that they are all present. If any of the items is missing, then please contact your retailer.

- Remote control (x1) / AAA batteries (x2)
- Power cord*
- User's Guide / Quick Guide

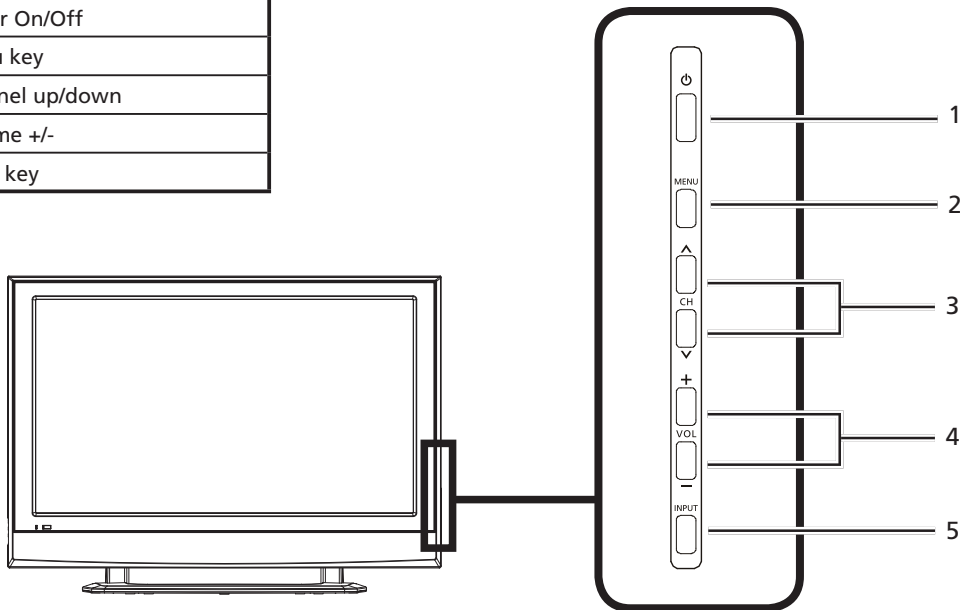


* The power cord supplied varies according to your region.

Your LCD TV overview

Front panel view

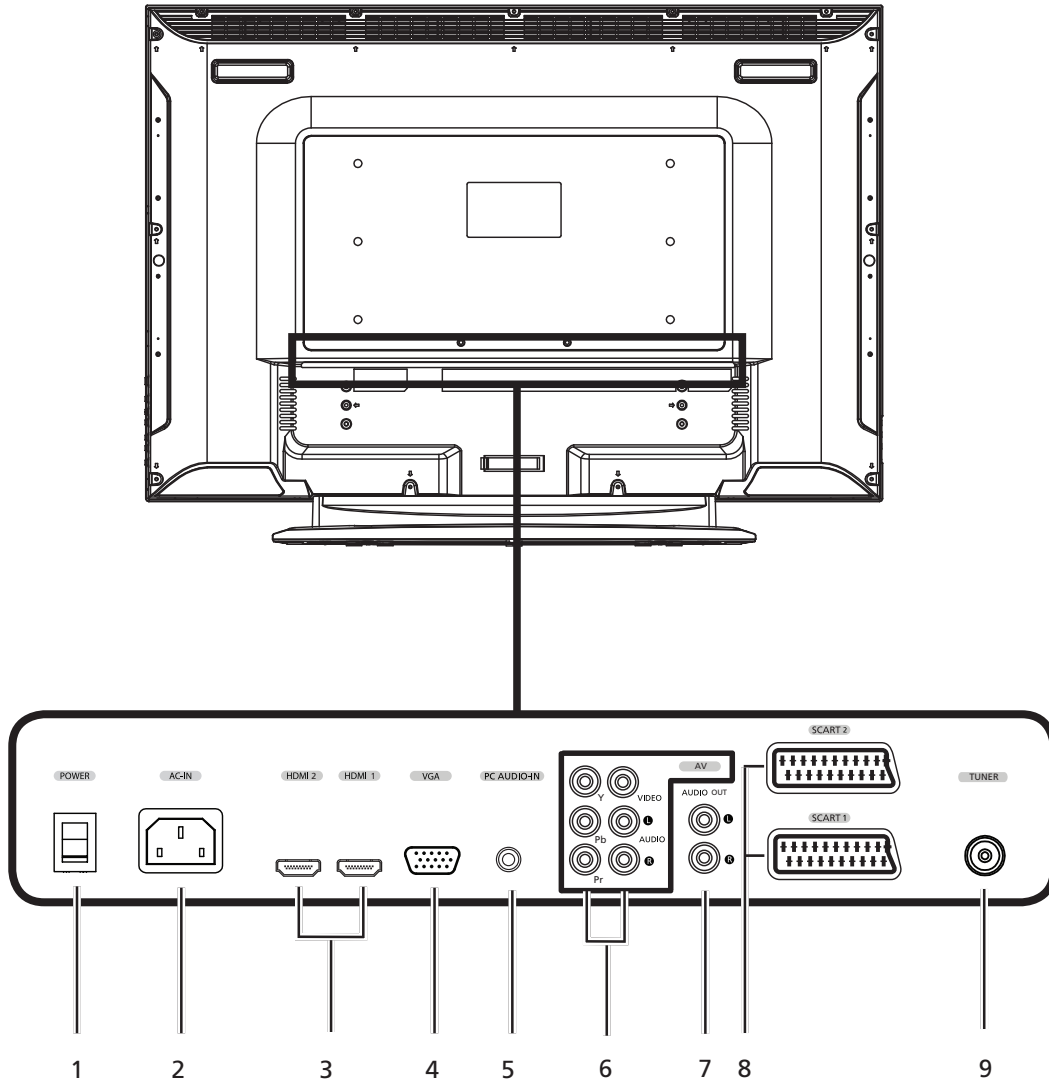
| | |
|---|-----------------|
| 1 | Power On/Off |
| 2 | Menu key |
| 3 | Channel up/down |
| 4 | Volume +/- |
| 5 | Input key |



| | | | |
|---|-------|--------------|--|
| 2 | MENU | Menu key | Turns the OSD menu ON and OFF |
| 3 | CH ^ | Channel up | When the OSD is on, functions the same as the Up arrow |
| | CH v | Channel down | When the OSD is on, functions the same as the Down arrow |
| 4 | VOL+ | Volume up | When the OSD is on, functions the same as the Right arrow |
| | VOL- | Volume down | When the OSD is on, functions the same as the Left arrow |
| 5 | INPUT | Input key | When the OSD is on, press this button to confirm selection |

Rear panel view

| | | | |
|---|--------------|---|-----------------------------------|
| 1 | Power switch | 2 | AC-in |
| 3 | HDMI* | 4 | VGA-in |
| 5 | PC Audio-in | 6 | AV-Audio L/R + CVBS + COMPONENT** |
| 7 | AV-Audio-out | 8 | SCART |
| 9 | Analog Tuner | | |

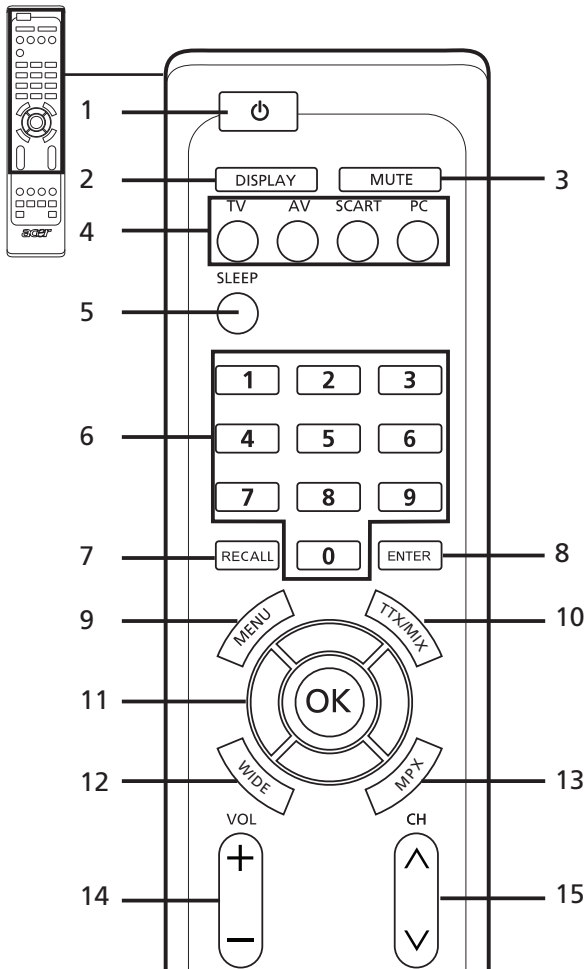


* ATxx21 only support one HDMI interface.

** For AV: Composite and S-Video input use the same audio ports.

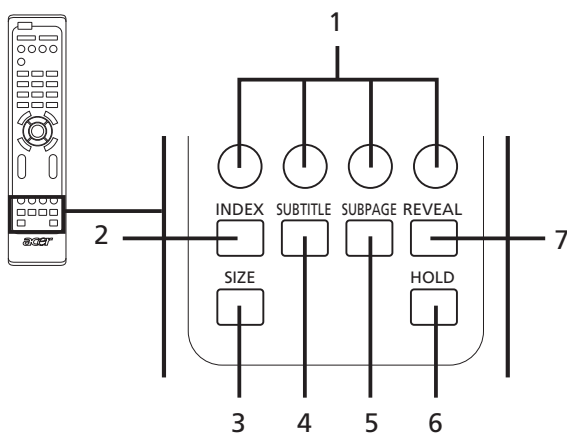
Remote control

General keys



- 1 POWER**
Press to turn your TV on/off.
- 2 DISPLAY**
Press to display input/channel information (dependent on input/source type).
- 3 MUTE**
Press to toggle audio on and off.
- 4 Input buttons (TV/AV/SCART/PC)**
Press to select correct input mode.
- 5 SLEEP**
Press to set a time period after which the TV will switch itself to standby (15, 30, 45, 60, 90 or 120 minutes).
- 6 Number keys.**
- 7 RECALL**
Press to return to the previous channel.
- 8 ENTER**
Press to confirm channel number selection.
- 9 MENU**
Press to open or close the Menu.
- 10 TTX/MIX (TELETEXT/MIX)**
Press to switch from TV/AV to Teletext mode.
Press to overlay teletext page on the TV image.
- 11 Directional keys/OK**
VOL (up/down), CH (up/down)
- 12 WIDE**
Press to toggle scaling mode between Auto, 16:9, 4:3, Panorama and Letterbox 1, 2, 3 modes.
- 13 MPX**
Press to select the sound input, displayed in the top right-hand corner (mono, stereo, bilingual).
- 14 VOL (+/-)**
Press to increase or decrease the volume.
- 15 CH (up/down)**
Press to sequentially select the TV channel.

Teletext

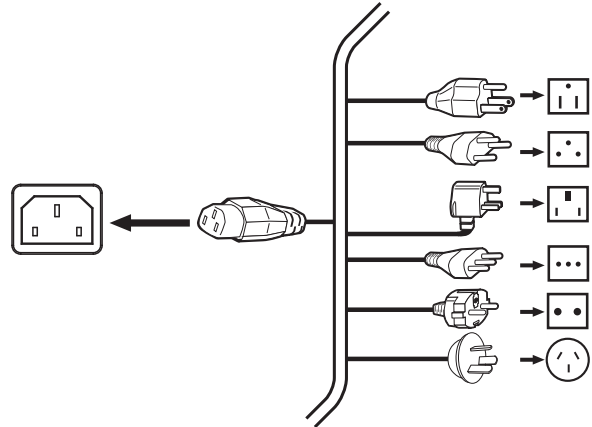


- 1 Colour buttons (R/G/Y/B)**
Operates corresponding button on the teletext page.
- 2 INDEX**
Press to go to the index page
- 3 SIZE**
Press once to zoom teletext page to 2X.
Press again to resume.
- 4 SUBTITLE**
Press to view subtitles on the screen.
- 5 SUBPAGE**
Press to access the teletext's subpages directly.
- 6 HOLD**
Press to pause the current teletext page in multi-page viewing mode.
- 7 REVEAL**
Press to reveal hidden teletext information.

Basic connections

Connecting the power cord

- 1 Connect the AC cord into the AC input on the back of the set.
- 2 Connect the plug to the wall outlet as shown.



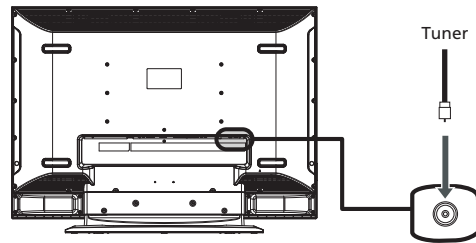
Setting up the remote control

- 1 Open the cover on the back of the remote unit.
- 2 Insert two AAA batteries (supplied) to match the polarity indicated inside the battery compartment.

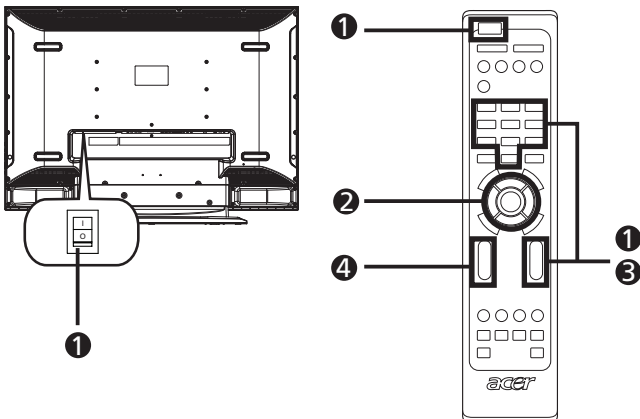
Enjoying analog TV

Connecting an antenna/cable

Connect the antenna cable to the appropriate antenna terminal on the back of the TV set as shown below.



Getting started watching your TV



1 Power

- a. Turn on the power switch beneath the screen.
- b. Press the **power** button, **number** keys or **channel up / down** button on the remote control.

2 Setup Wizard

The first time you switch on the TV, the Setup Wizard will guide you to complete the language selection and channel scanning.

Press the **OK** key to begin the setup process.



You can also adjust these settings using the front control panel. Please see "Front panel view" on page 3 for details.

Step 1. Select the setup language you prefer.

Step 2. Please select country.

Step 3. Ensure that your co-axial cables are connected correctly before proceeding.

Step 4. Scan for analog channels.

Step 5. Setup is now complete. You are ready to begin watching TV.

If you leave the setup process before it is complete, you will be given a choice of options:

1. Resume setup
2. Resume setup wizard at next startup
3. Exit and do not remind me

Select an option and press **OK** to exit.

3 Changing channels

- a. Press 0 - 9 on the remote control to select a channel. The channel changes after 2 seconds. Press **ENTER** to select the channel immediately.
- b. Pressing the channel (**CH**) up / down button on the remote control will also change the channel.

4 Adjusting the volume

Adjust the volume level using the (**VOL**) up/down button on the remote control.



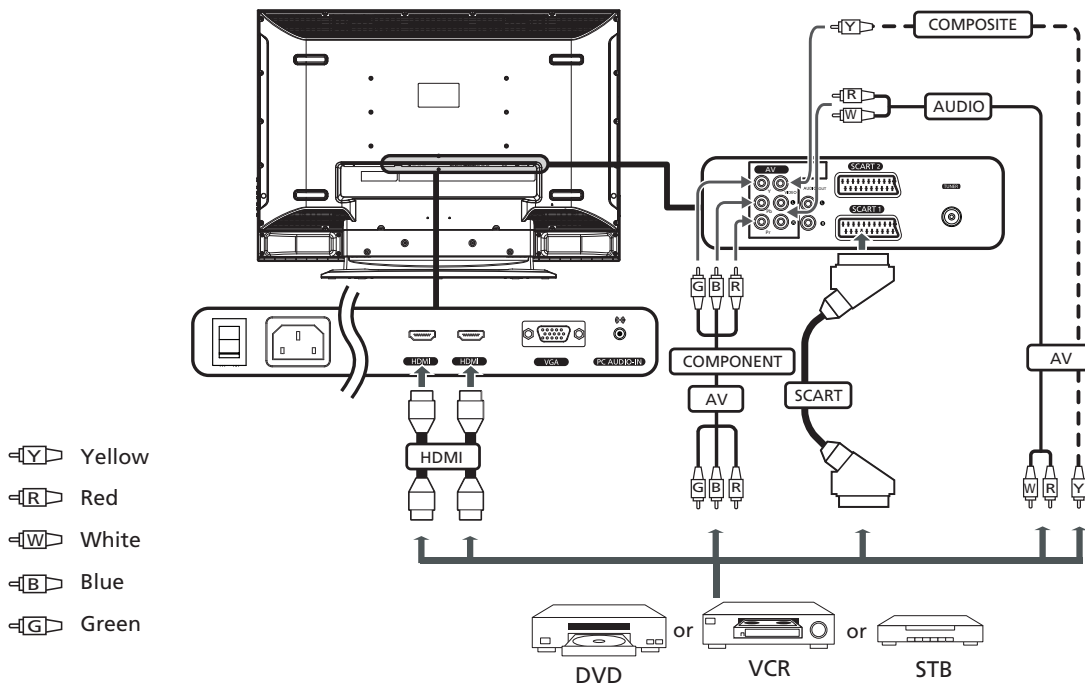
Setup may vary due to local broadcast differences.

Connecting external audio/video devices

Connecting a DVD, VCR, STB or audio/video equipment

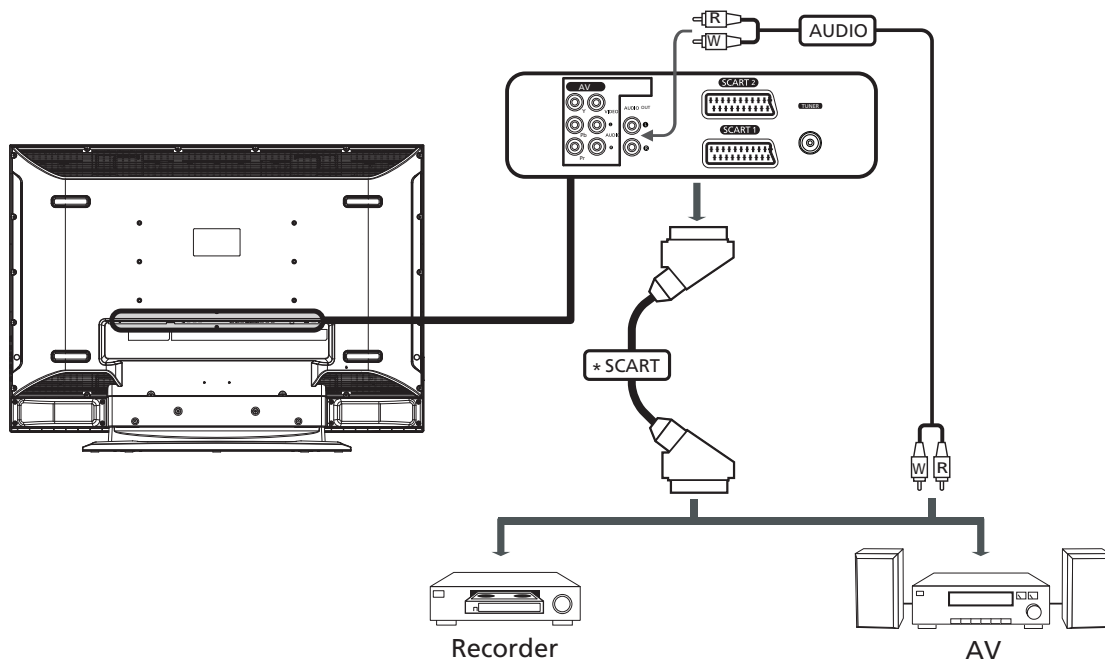
Connect your DVD player, VCR or audio/video equipment using the SCART port located at the rear of your LCD TV as shown below.

Source-IN



* Acer recommends the following priority for connection types: HDMI -> Component -> SCART -> AV

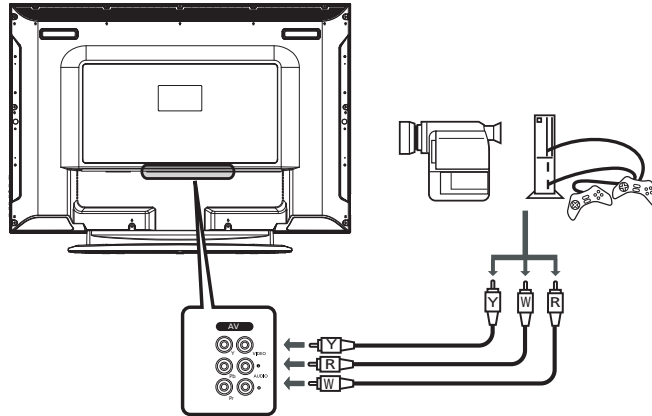
TV-OUT



*SCART-out only works with analog broadcasts.

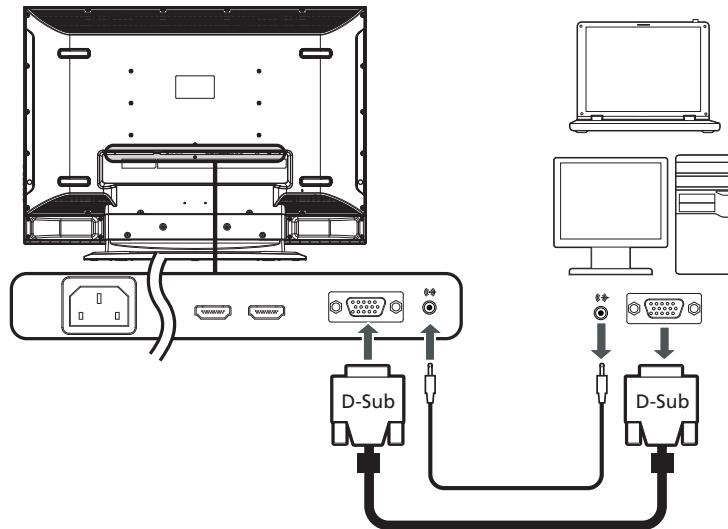
Connecting a camera, camcorder, video game

Connect your camera, camcorder or video game console to the video/audio ports on the rear of the TV set as shown below.



Connecting a PC or notebook computer

To display PC output on your TV, connect your PC or notebook computer to the TV as shown below.

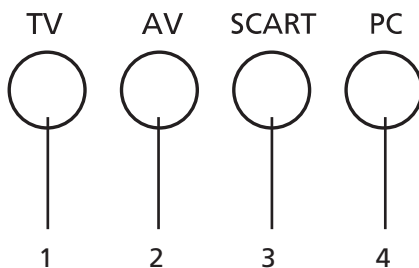


For VGA input, Acer recommends setting your PC's external monitor resolution to 1366 x 768 pixels @ 60 Hz refresh rate.

Selecting the input source

Once you have connected your antenna or external equipment to the TV, you need to select the correct input source.

Press the corresponding button on the remote control to select the correct input source.



Input button guide:

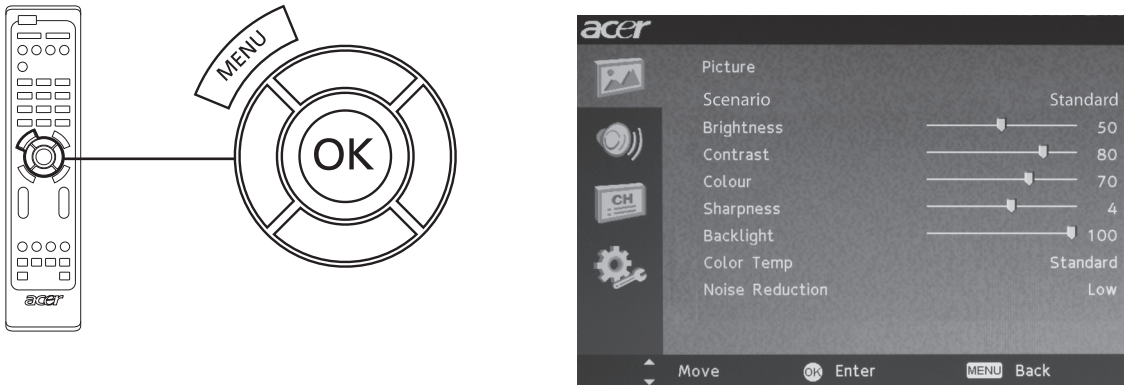
- 1 **TV key**
Toggle TV between input sources.
- 2 **AV key**
Toggle AV and HDMI between input sources.
- 3 **SCART key**
Toggle SCART1 and SCART2 between input sources.
- 4 **PC key**
Toggle VGA between input sources.

OSD navigation

Many of the advanced settings and adjustments are available through using the OSD (onscreen display) menus, as shown in the example screenshot below.

Basic operations required to navigate these menus (Picture, Audio, Channel management and Settings) are described in this section.

Navigating the OSD with the remote control



You can also interact with these menus using the right panel controls. Please see "Front panel view" on page 3 for details.

Scenario mode in TV

Scenario mode has five preset viewing modes designed to give you the best picture quality when watching a particular kind of programme. There are five pre-defined audio and video settings for optimal enjoyment of the following scenarios: Standard TV, Movie, Game, Sports, Concert, User.

| | | |
|--|--|---|
| There are four main OSD menus. These are: Picture, Audio, Channel management and Settings. Use the following method to navigate these menus. | | |
| 1 | | Press the MENU button on the remote control or the MENU button on the control panel. |
| 2 | | Select your desired menu by using the up and down directional keys to switch between the four menus. |
| 3 | | Use the directional keys to interact with the menu. The up / down directions will scroll through the menu options, while left/right will adjust the different settings (for example, in the Picture menu, settings such as brightness, contrast, etc.). Press MENU to exit. |

Adjusting the OSD settings

The OSD can be used for adjusting the settings of your LCD TV.

Press the **MENU** key to open the OSD. You can use the OSD to adjust the picture quality, audio settings, channel settings and general settings. For advanced settings, please refer to following page:

| Adjusting the picture quality | |
|----------------------------------|---|
| | <ol style="list-style-type: none"> 1 Press the MENU key to bring up the OSD. 2 Using the directional keys, select Picture from the OSD. Then navigate to the picture element you wish to adjust. 3 Use the left or right keys to adjust the sliding scales. 4 The Picture menu can be used to adjust the brightness, contrast, colour, sharpness and other image-related qualities. |
| Adjusting the audio settings | |
| | <ol style="list-style-type: none"> 1 Press the MENU key to bring up the OSD. 2 Using the directional keys, select Audio from the onscreen display. Then navigate to the feature you wish to adjust. 3 Use the left or right keys to adjust the sliding scale. Press OK to save. 4 The Audio menu can also be used to adjust the treble, bass, balance, sound effect and Steady sound. |
| Adjusting the channel management | |
| | <ol style="list-style-type: none"> 1 Press the MENU key to bring up the OSD. 2 Using the directional keys, select Channel management from the OSD. 3 Use the directional keys to navigate the menus. 4 The Channel management menu can be used to set the channel namings, Auto Scan, Manual Scan channel and other related settings. |
| Adjusting the settings | |
| | <ol style="list-style-type: none"> 1 Press the MENU key to bring up the OSD. 2 Using the directional keys, select Settings from the OSD. Then navigate to the feature you wish to adjust. 3 The Settings menu can be used to adjust the menu language and other important settings. |

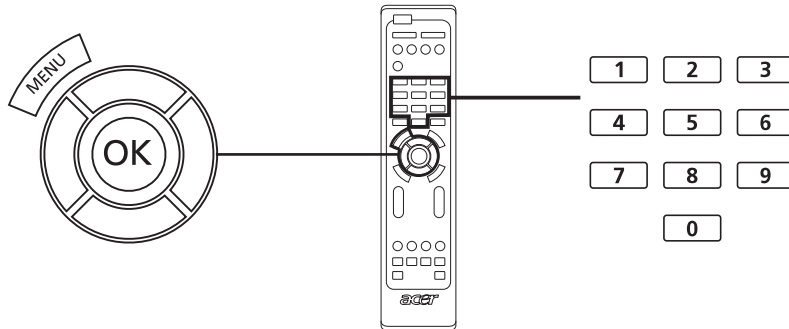


The options available on the OSD may vary depending on the TV signal source.

Advanced features

Lock This Channel

Lock This Channel allows you to enter a password and effectively stop anyone without the password from watching TV Channel.








To enable this feature:

| Setting a personal PIN | | |
|------------------------|--|--|
| 1 | | <p>Press the MENU key on the remote control to bring up the OSD.</p> |
| 2 | | Use the directional keys to navigate to the Settings menu. Then select Set PIN . (see note) |
| 3 | | Enter a four-digit password. Type it again and press OK to reconfirm. |
| 4 | | Press MENU to exit. |

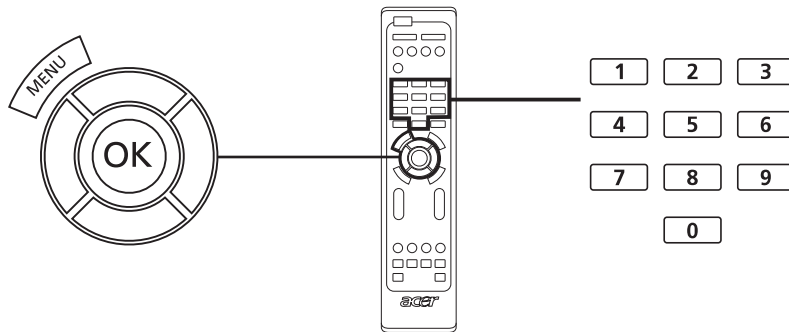








The default PIN for this TV is "0000." First enter "0000" when you want to change the PIN. If you forget your PIN, please enter 6163 to reset.

| Locking TV Channel | | |
|--------------------|---|--|
| 1 |  |  <p>Press the MENU key on the remote control to bring up the OSD.</p> |
| 2 |  | Use the directional keys to navigate to the  Channel Management menu. Then select Lock This Channel . |
| 3 |  | Enter your PIN. Type it again and press OK to reconfirm. (see page 11 note) |

Reorder for channels

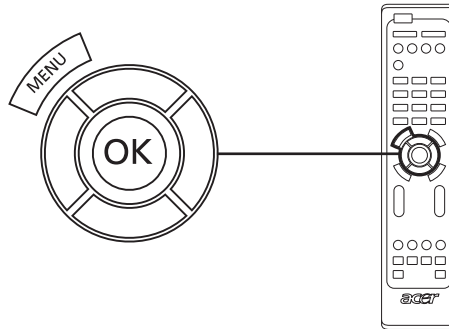
The first time you completed the setup wizard, all available channels were listed. If you need to reorder for new channels, please follow the steps below:




| Reordering for channels | | |
|-------------------------|---|--|
| 1 |  | Press the MENU key on the remote control to bring up the OSD. |
| 2 |  | Use the directional keys to navigate and select  Channel Management. |
| 3 |  |  <p>Highlight Reorder. Then, select the channel you wish to reorder and press OK to confirm. Move to the right channel number and press OK to reconfirm.</p> |
| 4 |  | Select OK and press MENU to exit. |

Re-scan for channels

The first time you completed the setup wizard, all available channels were listed. If you need to re-scan for new channels, please follow the steps below:



| Scanning for channels | | |
|-----------------------|--|--|
| 1 | | Press the MENU key on the remote control to bring up the OSD. |
| 2 | | Use the directional keys to navigate and select Channel Management. |
| 3 | | <div style="display: flex; justify-content: space-between;"> <div style="width: 45%;">  </div> <div style="width: 50%;"> <p>Highlight Auto Scan. Then, select Start and press OK to begin.</p> <p>or</p> <p>Highlight Manual Scan. Then, select Scan up, Scan down or Scan for updates and press OK to begin.</p> </div> </div> |
| 4 | | Select OK and press MENU to exit. |

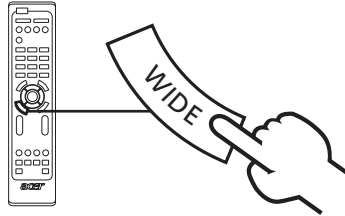
Widescreen display mode

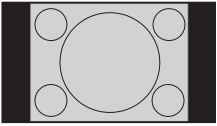
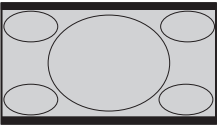
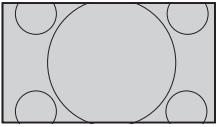
Your Acer LCD TV has a special widescreen mode that allows you to toggle between Auto, 4:3, 16:9, Panorama, and Letterbox 1, 2 and 3 type views.

Press the **WIDE** key on the remote control to toggle the display between the four wide modes.

Wide mode

The Acer LCD contains four widescreen modes, including Auto, 4:3, 16:9, Panorama, and Letterbox 1, 2 and 3.



| | |
|---|--|
| Auto | In this mode, TV will auto detect picture source and fit in suitable size. |
| 4:3 | For 4:3 standard pictures. A side bar appears on each side. |
|  | |
| 16:9 | For 16:9 standard pictures. A side bar appears on each side. |
|  | |
| Panorama | In this mode, the picture is progressively stretched toward each side of the screen. |
| Letterbox 1, 2 and 3 | In this mode, the picture is enlarged linearly to fit the screen. The top and bottom portions of the picture may be cut off. |
|  | |

Troubleshooting

Before you call the Acer service center, please check the following items:

Here is a list of possible situations that may arise during the use of your LCD TV. Easy answers and solutions are provided for each.

There is no picture or sound.

- Make sure the power cord is properly inserted in the power outlet.
- Make sure the input mode is correctly set by your selected input.
- Make sure the antenna at the rear of the TV is properly connected.
- Make sure the main power switch is turned on.
- Make sure the volume is not set to minimum or the sound is not set to mute.
- Make sure the headphones are not connected.
- Make sure the internal speaker is set to ON.
- Reception other than those of broadcasting stations can be considered.

Picture is not clear.

- Make sure the antenna cable is properly connected.
- Consider whether your TV signal is being properly received.
- Poor picture quality can occur due to a VHS camera, camcorder, or other peripheral being connected at the same time. Switch off one of the other peripherals.
- The 'ghost' or double image may be caused by obstruction to the antenna due to high-rise buildings or hills. Using a highly directional antenna may improve the picture quality.
- The horizontal dotted lines shown on the pictures may be caused by electrical interference, e.g., hair dryer, nearby neon lights, etc. Turn off or remove these.

Picture is too dark, too light or tinted.

- Check the colour adjustment.
- Check the brightness setting.
- Check the sharpness function.
- The fluorescent lamp may have reached the end of its service life.

Remote control does not work.

- Check the batteries of the remote control.
- Make sure the remote sensor window is not under strong fluorescent lighting.
- Try to clean the remote control sensor lens on the TV with a soft cloth.
- Use the buttons (hotkeys) on the TV before the remote control works.

If the above suggestions do not solve your technical issue, please refer to the warranty card for service information.

PC Input Signal Reference Chart

| | Resolution | Horizontal Frequency (kHz) | Vertical Frequency (Hz) | Standard | Format |
|----|------------|----------------------------|-------------------------|----------|--------|
| 1 | 640 x 350 | 31.5 | 70.0 | VGA | |
| 2 | 720 x 400 | 31.5 | 70.0 | VGA | |
| 3 | 640 x 480 | 31.5 | 60.0 | VGA | |
| 4 | 640 x 480 | 35.0 | 66.7 | MAC | |
| 5 | 640 x 480 | 37.9 | 72.0 | VESA | |
| 6 | 640 x 480 | 37.5 | 75.0 | VESA | |
| 7 | 640 x 480 | 43.3 | 85.0 | VESA | |
| 8 | 800 x 600 | 35.2 | 56.0 | VESA | |
| 9 | 800 x 600 | 37.9 | 60.0 | VESA | |
| 10 | 800 x 600 | 48.1 | 72.0 | VESA | |
| 11 | 800 x 600 | 46.9 | 75.0 | VESA | |
| 12 | 800 x 600 | 53.7 | 85.0 | VESA | |
| 13 | 832 x 624 | 49.7 | 74.5 | MAC | |
| 14 | 1024 x 768 | 48.4 | 60.0 | VESA | |
| 15 | 1024 x 768 | 56.5 | 70.0 | VESA | |
| 16 | 1024 x 768 | 60.0 | 75.0 | VESA | |
| 17 | 1280 x 768 | 47.8 | 59.9 | VESA | |
| 18 | 1280 x 720 | 44.8 | 59.9 | VESA | 16:9 |
| 19 | 1280 x 720 | 56.5 | 74.8 | VESA | 16:9 |
| 20 | 1360 x 768 | 47.7 | 59.8 | VESA | 16:9 |
| 21 | 1360 x 768 | 60.3 | 74.9 | VESA | 16:9 |



-
- 1). The PC input does not support Sync on Green or Composite Sync.
 - 2). The PC input does not support interlaced signals.

Product specifications

| Model | AT2621 | AT3221 | AT4221 |
|---------------------------|---|-----------------------|---------------------|
| Panel spec | | | |
| Resolution (pixels) | 1366 x 768 | | |
| Brightness (tpe.) | 500 nit | | |
| Contrast Ratio (tpe.) | 800 : 1 | 1500 : 1 | |
| Display colour | 16.7 M | | |
| Viewing angle (tpe.) | H: 160° ; V:160° | H: 178° ; V:178° | |
| Response (tpe.) | 8 ms (Gray to Gray) | 6.5 ms (Gray to Gray) | 8 ms (Gray to Gray) |
| Power supply | | | |
| Input | 100 to 240 V AC (50~60 Hz) | | |
| Max. power consumption | 161 W | 185 W | 291 W |
| Power saving | <2 W | | |
| Mechanical | | | |
| Dimensions (W x H x D mm) | 693 x 529 x 195 | 814 x 610 x 261 | 1071 x 794 x 311 |
| Weight (kg) | 12.08 | 17.7 | 32.3 |
| Weight (lbs.) | 26.9 | 39 | 71.15 |
| Gross weight (Kg) | 14.4 | 21.06 | 38.6 |
| Gross weight (lbs) | 32 | 46.9 | 85.8 |
| Wall-mounting holes | 200mm x 100mm | 400mm x 200mm | |
| Analog TV system | | | |
| Colour system | PAL, SECAM | | |
| Sound system | B/G/D/K/I/L (multi-European) | | |
| Stereo system | NICAM/A2 | | |
| Subtitle | Teletext 1.5 (1000 pages) | | |
| TV-tuner quantity | 1 | | |
| Terminal | | | |
| Analog Tuner In | Yes | | |
| SCART 1 | SCART for CVBS(In/Out), RGB(In), Audio R/L, FB, S Video | | |
| SCART 2 | SCART for CVBS(In/Out), RGB(In), Audio R/L, FB, S Video | | |
| AV-in | YPbPr/YCbCr,CVBS, Audio R/L | | |
| HDMI 1 | Yes | | |
| PC D-sub in | Yes | | |
| PC audio-in | Yes | | |
| RCA Audio Out | Yes | | |
| Audio system | | | |
| Speakers | 5W + 5W | 10W + 10W | |

| Model | AT2622 | AT3222 | AT4222 |
|---------------------------|---|-----------------------|---------------------|
| Panel spec | | | |
| Resolution (pixels) | 1366 x 768 | | |
| Brightness (tpe.) | 500 nit | | |
| Contrast Ratio (tpe.) | 800 : 1 | 1500 : 1 | |
| Display colour | 16.7 M | | |
| Viewing angle (tpe.) | H: 160° ; V:160° | H: 178° ; V:178° | |
| Response (tpe.) | 8 ms (Gray to Gray) | 6.5 ms (Gray to Gray) | 8 ms (Gray to Gray) |
| Power supply | | | |
| Input | 100 to 240 V AC (50-60 Hz) | | |
| Max. power consumption | 161 W | 185 W | 291 W |
| Power saving | <2 W | | |
| Mechanical | | | |
| Dimensions (W x H x D mm) | 693 x 529 x 195 | 814 x 610 x 261 | 1071 x 794 x 311 |
| Weight (kg) | 12.08 | 17.7 | 32.3 |
| Weight (lbs.) | 26.9 | 39 | 71.15 |
| Gross weight (Kg) | 14.4 | 21.06 | 38.6 |
| Gross weight (lbs) | 32 | 46.9 | 85.8 |
| Wall-mounting holes | 200mm x 100mm | 400mm x 200mm | |
| Analog TV system | | | |
| Colour system | PAL, SECAM | | |
| Sound system | B/G/D/K/I/L (multi-European) | | |
| Stereo system | NICAM/A2 | | |
| Subtitle | Teletext 1.5 (1000 pages) | | |
| TV-tuner quantity | 1 | | |
| Terminal | | | |
| Analog Tuner In | Yes | | |
| SCART 1 | SCART for CVBS(In/Out), RGB(In), Audio R/L, FB, S Video | | |
| SCART 2 | SCART for CVBS(In/Out), RGB(In), Audio R/L, FB, S Video | | |
| AV-in | YPbPr/YCbCr,CVBS, Audio R/L | | |
| HDMI 1 | Yes | | |
| HDMI 2 | Yes | | |
| PC D-sub in | Yes | | |
| PC audio-in | Yes | | |
| RCA Audio Out | Yes | | |
| Audio system | | | |
| Speakers | 5W + 5W | 10W +10W | |